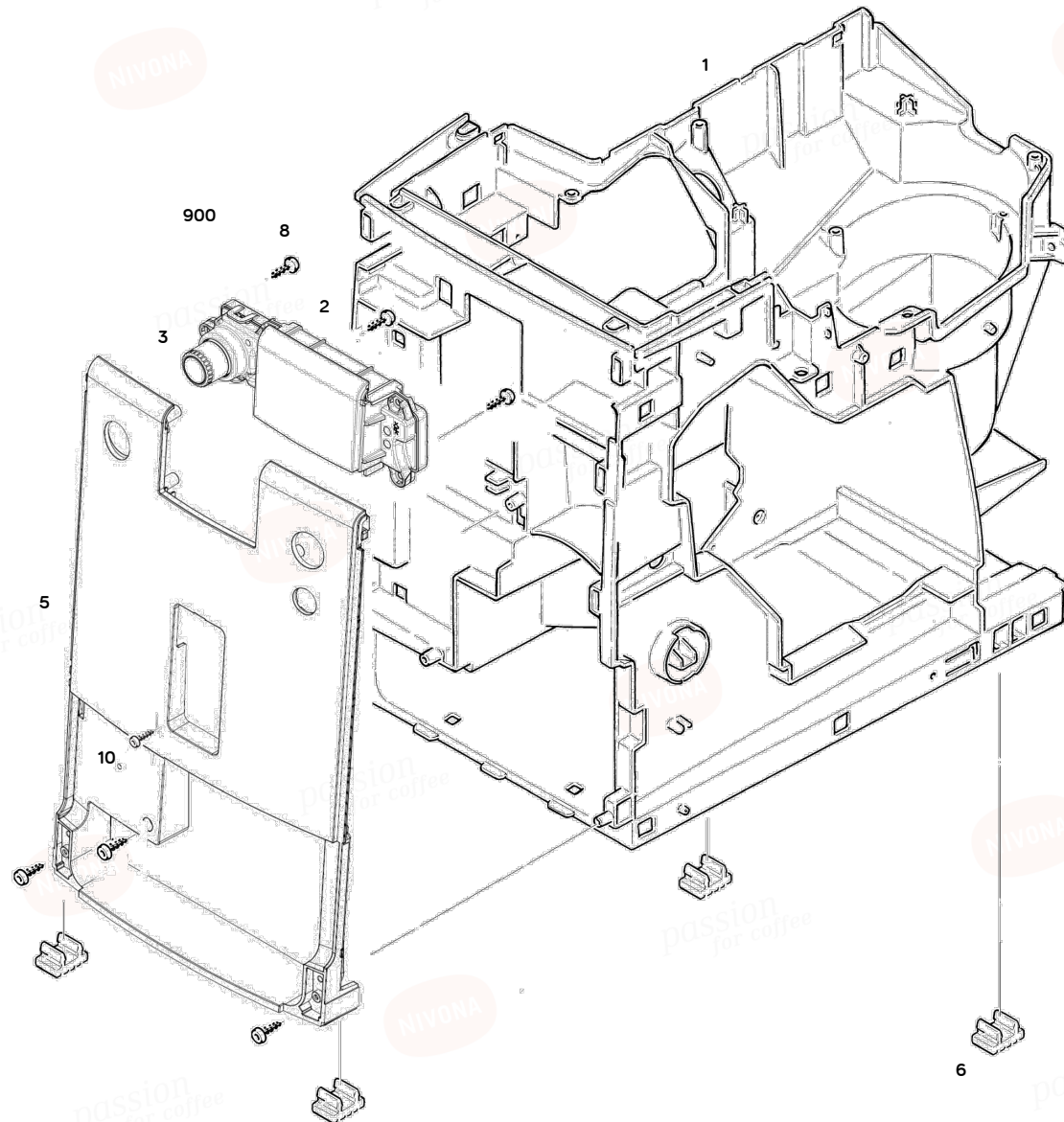
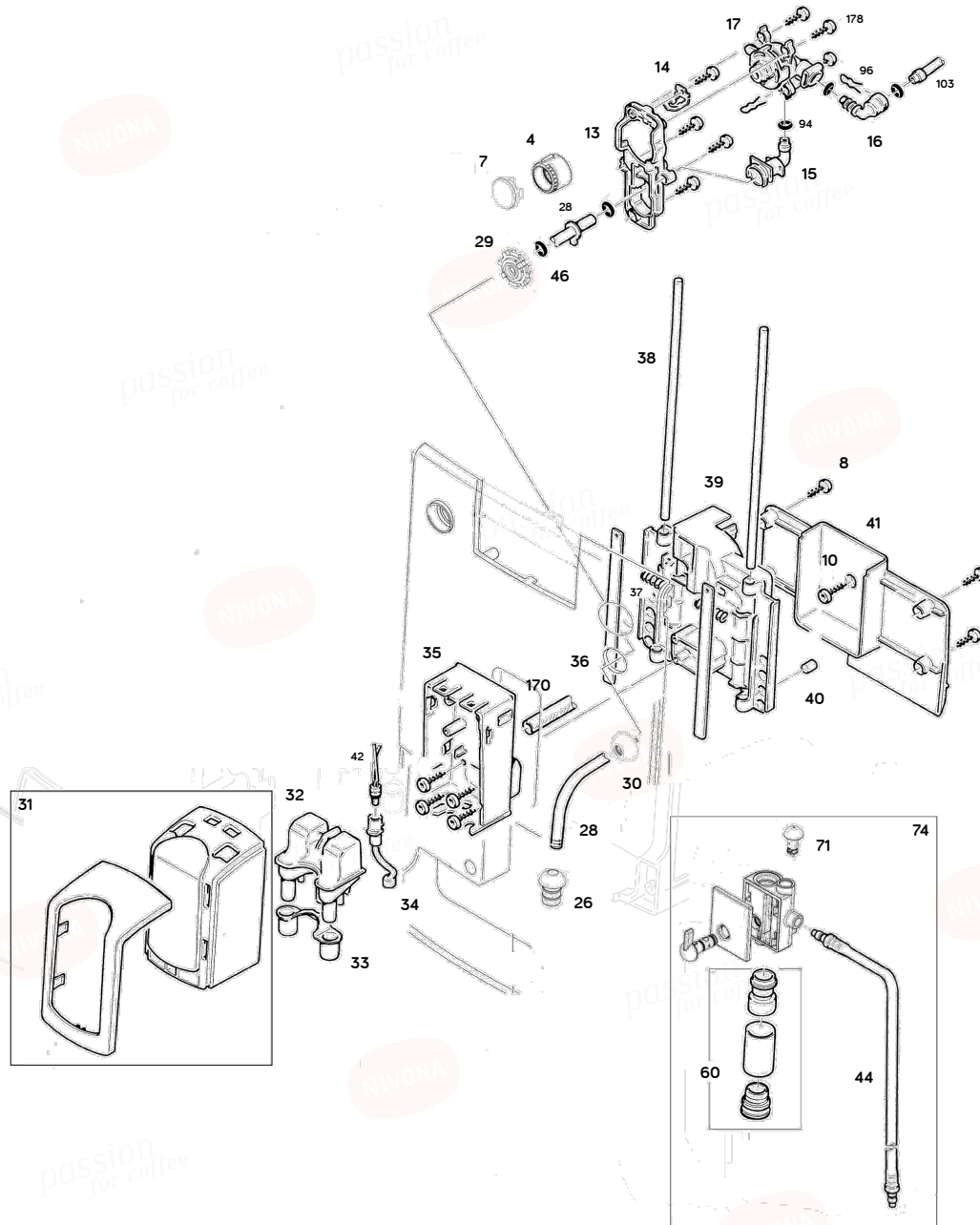


# NICR 675



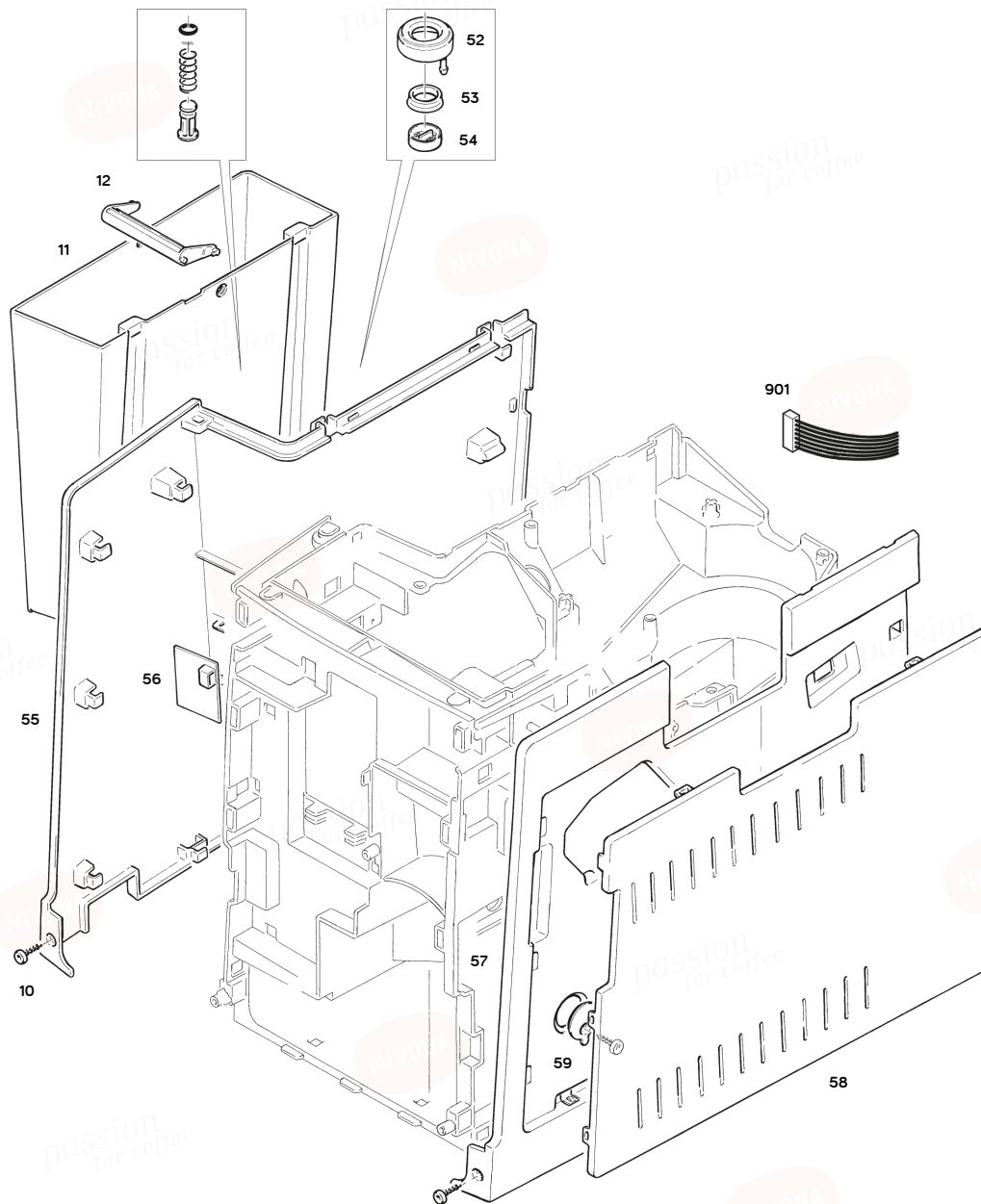
#	Description	Part No.
1	Spare k-holder 508 cpl V4	80967
2	Electronic 697 cpl MMI V3	104302
900	Connector 573 5x	99166
3	Rotary knob 691 cover	70206
5	Front panel 697	128652
6	Rubber feet 507 V2	75559
8	Screw KST/PT 3,0x12 bl galvan	16052
10	Screw KST/PT 3,0x12 blk galvan	44505

# NICR 675



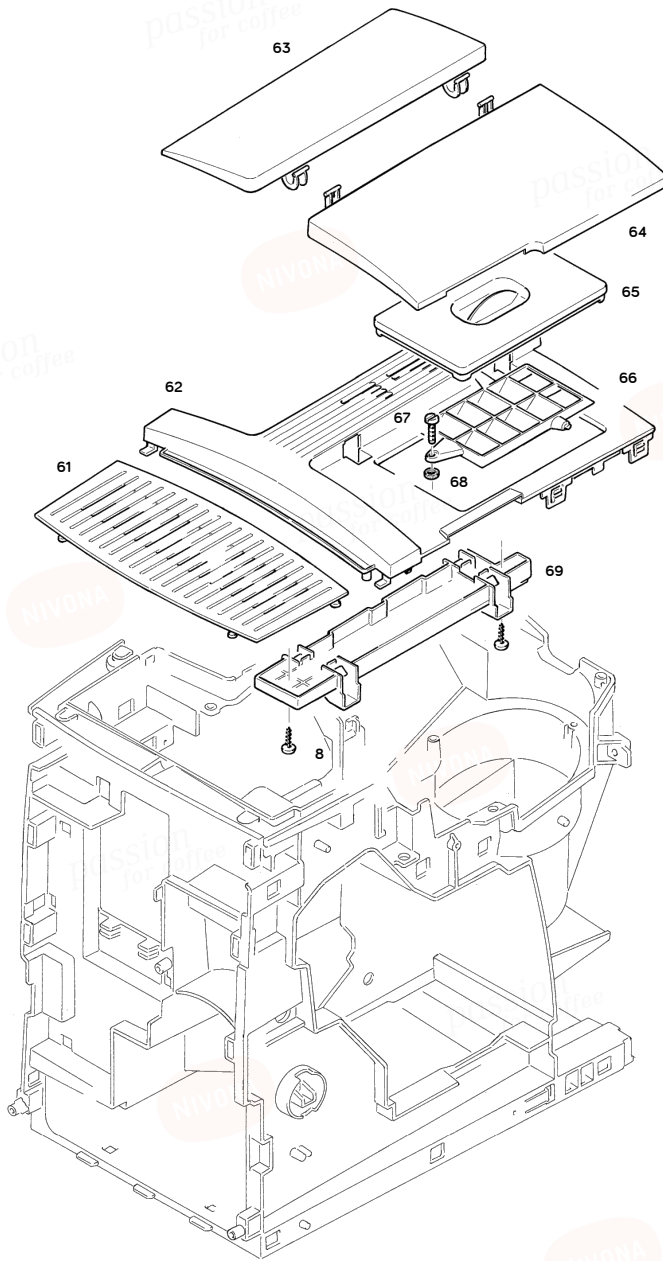
#	Description	Part No.
4	Rotary knob 697 outside part	103683
7	Rotary knob 507 cover	77583
8	Screw KST/PT 3,0x12 bl galvan	16052
10	Screw KST/PT 3,0x12 blk galvan	44505
13	Holding plate 571 membrane	104039
14	Button spring 571 Inox	80479
15	Fluid connect 571 steam tube	80483
16	Connect 004 valve V2	51100
17	Steam valve 697 cpl	105048
26	Steam nozzle 697	105149
28	Steam tube 697 bent	105398
29	Faceplate 697 steam tube	108915
30	Cover 697 cpl	103467
31	Cover 570 cpl	128678
32	Outlet 507 cpl V2	73712
33	Sleeve 507 outlet	81819
34	Light cond.507 transp	73548
35	Outlet slider 507 V3	73534
36	Metallic stripe 691 Inox V4	64715
37	Press.spring d=0,90 Do=6,60	61018
38	Guide pin 570	80485
39	Guide block 507 outlet V3	73532
40	Magnet 770 floater D=6x6mm	5508
41	Finger protect 507 outlet	73533
42	LED 507 cpl	74120
44	Hose 573 cpl	100858
46	O-Ring 005,50x2,00 silic/2-K	26549
60	Outlet 572 cpl	86524
71	Air intake tube 572 cpl	82766
74	Foam device 697 cpl	106561
94	O-Ring 003,40x1,90 silic/2-K	71881
96	Clip D=4mm L=14mm Inox	5470
103	Hose FEP D4,0xd2,50x260mm	19680
170	Hose silic D06,0xd3,00x220mm	75500
178	Screw KST/PT 3,0x 8 bl galvan	19503

# NICR 675



#	Description	Part No.
10	Screw KST/PT 3,0x12 blk galvan	44505
11	Water tank 507 cpl V3	77268
12	Handle 507 water tank	73624
52	Valve hood 004	58106
53	Internal divided sleeve 004	68031
54	Sieve 510 tank base V3	79494
55	Spare side wall 508 cpl	80974
56	Sensor 585 water level	74126
901	Connect cord 507 water level	74133
57	Side wall 507 right V2	73563
58	Door 507 right V3	92326
59	Cover 570 service plug	80132

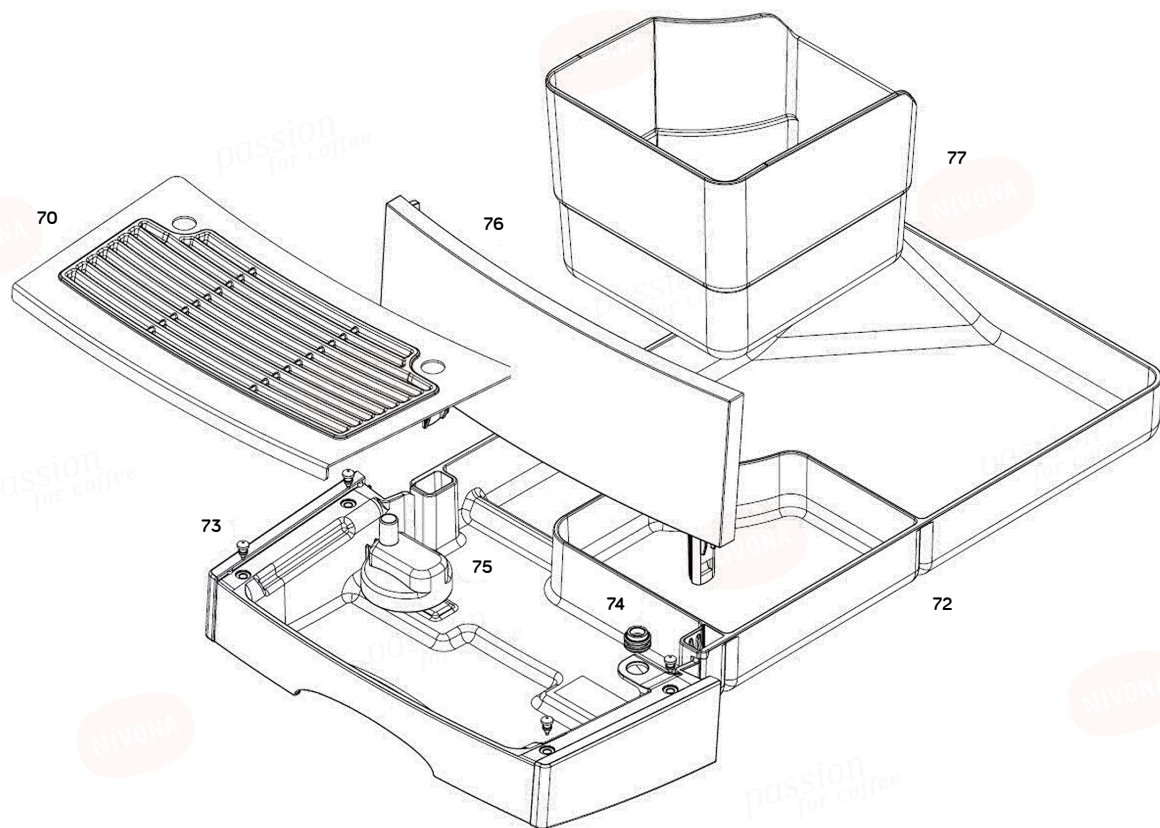
# NICR 675



#	Description	Part No.
8	Screw KST/PT 3,0x12 bl galvan	16052
61	Cup shelf 508	73573
62	Cover 507 cpl V2	93088
63	Cover 507 water tank	73574
64	Cover 507 bean contain V2	92490
65	Aroma preserv.cover 507 V3	73576
66	Finger protect 507	73595
67	Screw M4x12 Inox cyl head	83855
68	Safety ring 7,5x3,5x1,5mm	8291
69	Holder 507 hinge	73568

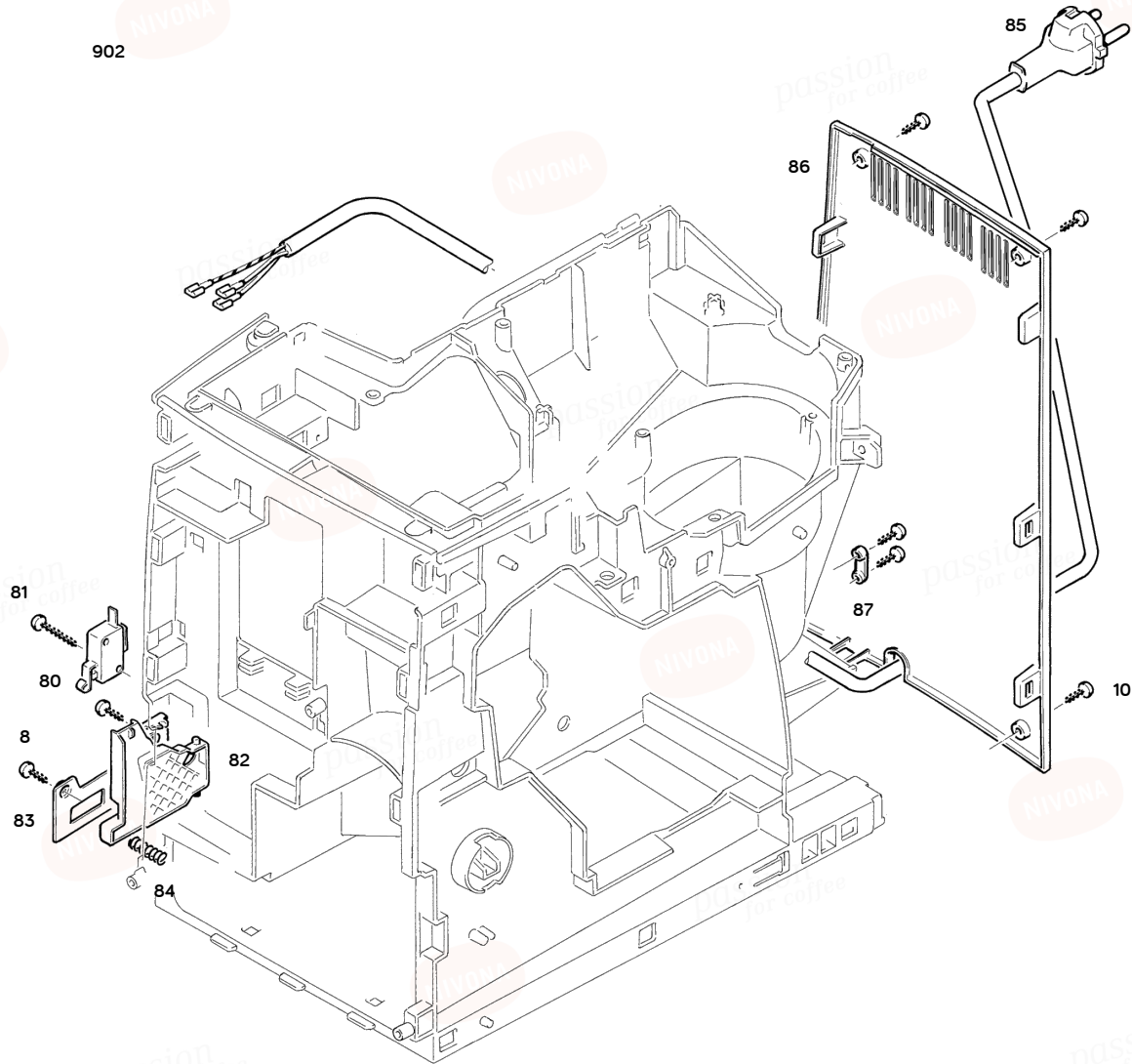


# NICR 675



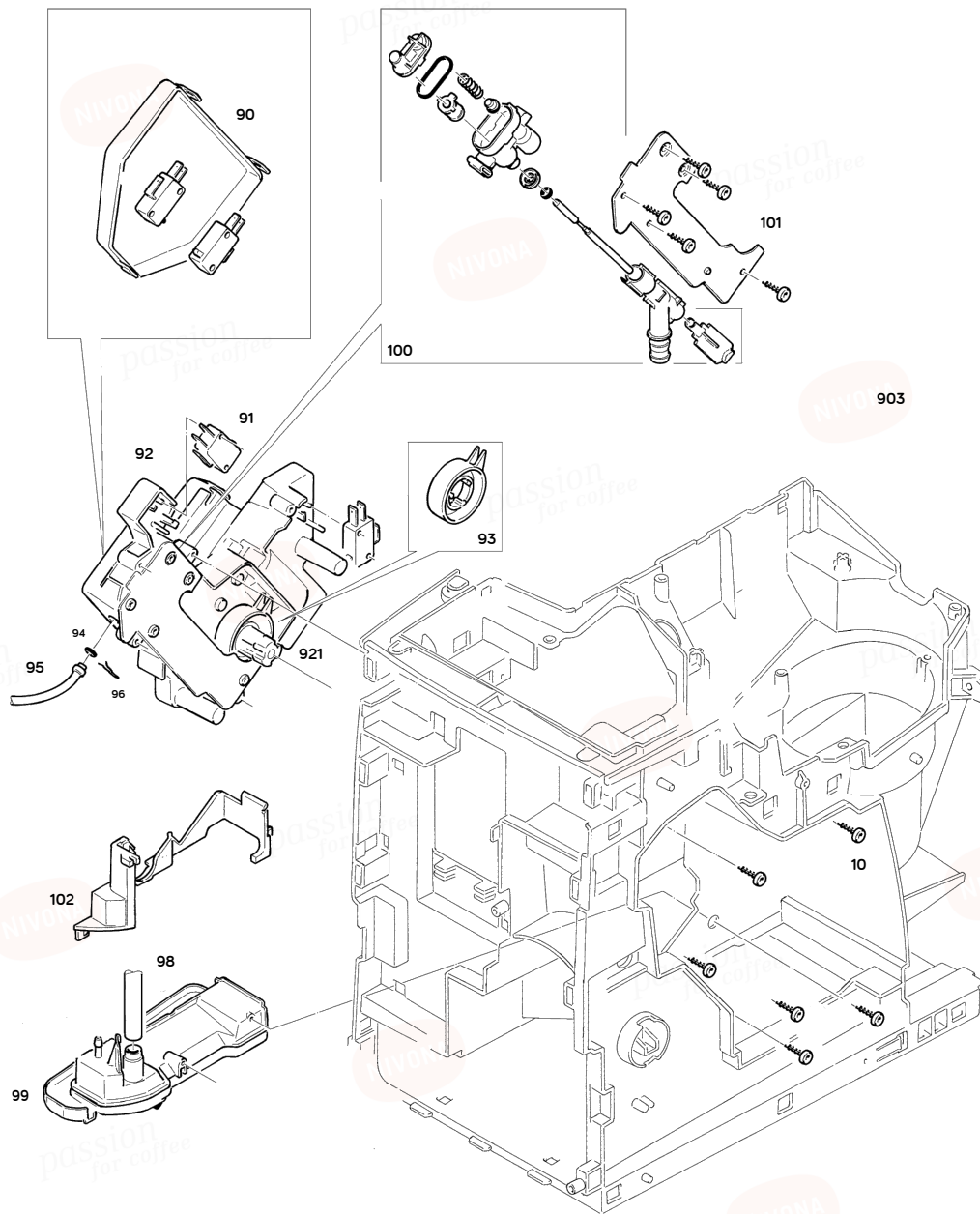
#	Description	Part No.
70	Spare drip grid 697 cpl	107624
72	Drip tray 697	104465
73	Damper 691 drip plate	64833
74	Support 691 nipple	64833
75	Floater 697 drip tray	104815
76	Faceplate 697 drip tray	128649
77	Grounds contain.507	73586

# NICR 675



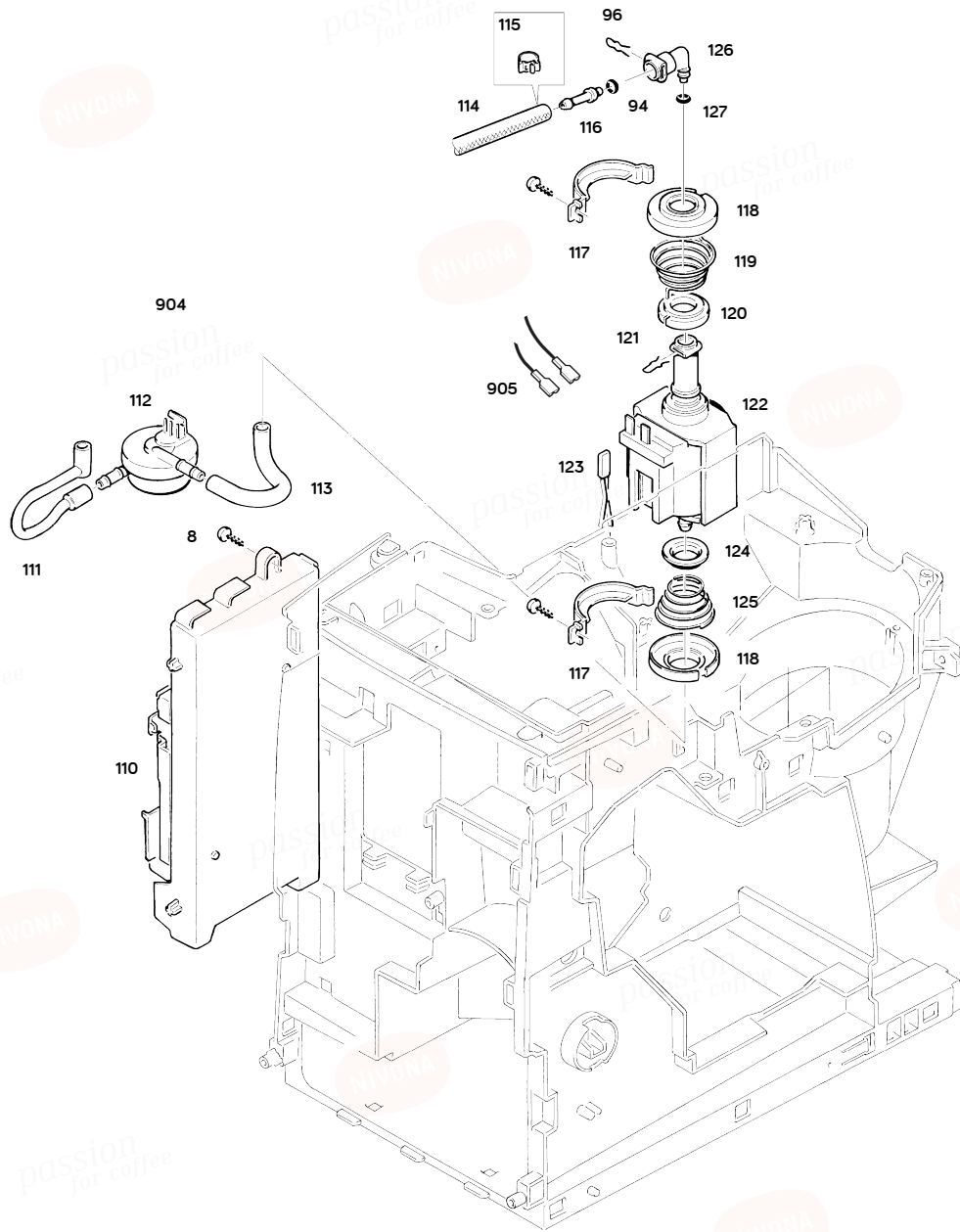
#	Description	Part No.
8	Screw KST/PT 3,0x12 bl galvan	16052
10	Screw KST/PT 3,0x12 blk galvan	44505
80	Micro switch D44N-Q1UA	51179
902	Connector 709 4x	119743
81	Screw KST/PT 3,0x20 bl galvan	19504
82	Push-button 507 main switch	73617
83	Cover 507 main switch	73622
84	Press.spring d=0,50 Do=5,20	14588
85	Line cord EU CL/S L=1,54m	101375
86	Spare back wall 508 cpl V2	93086
87	Strain relief clamp screwable	1053

# NICR 675



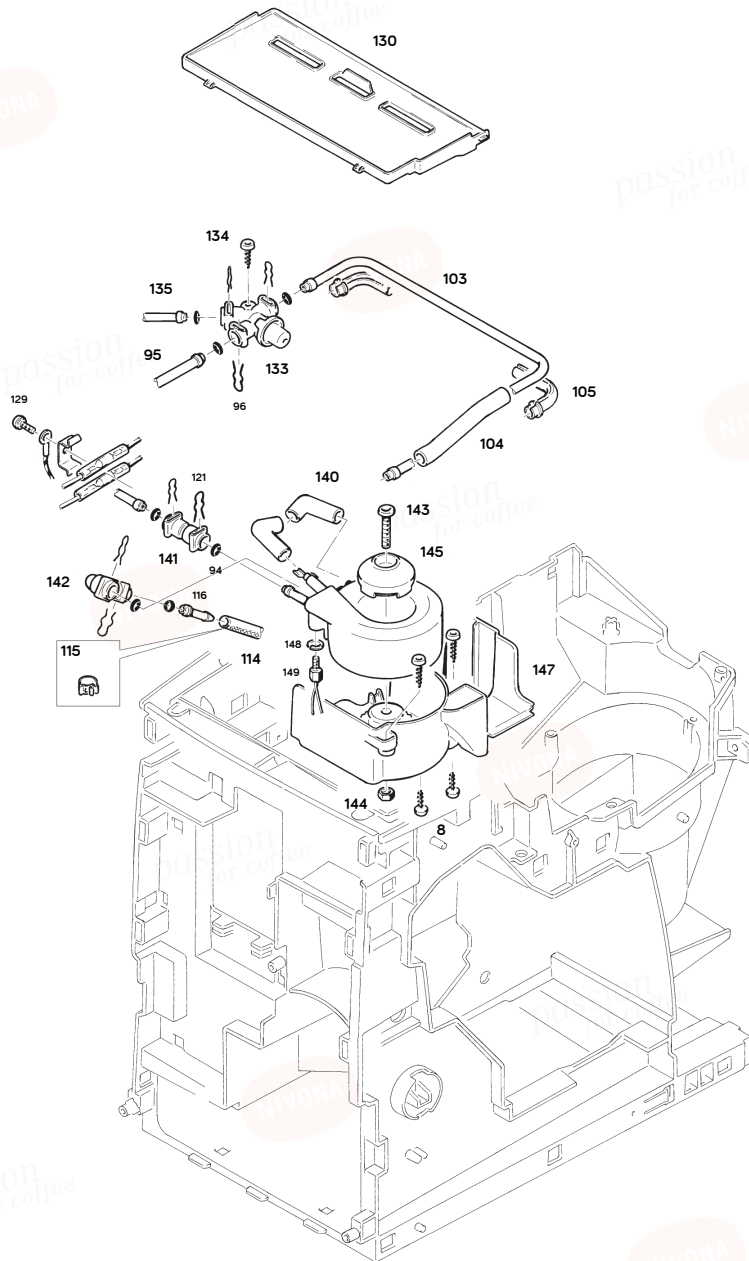
#	Description	Part No.
10	Screw KST/PT 3,0x12 blk galvan	44505
90	Cover 047 driver	61505
91	Micro switch D41R-QGAC V3	48905
92	Driver A-047 cpl base V4	93292
903	Connector 691 5x microswitch driver	64581
921	spare insert coupling 047	122646
93	Driver 047	54826
94	O-Ring 003,40x1,90 silic/2-K	71881
95	Hose FEP D4,0xd2,50x210mm	40268
96	Clip D=4mm L=14mm Inox	5470
98	Hose silic D15,0xd11,0x047mm	75623
99	Relieve tank 507 cpl V2	73710
100	Drainage valve 047 cpl V5	68368
101	Cover 691 driver V4	64413
102	Seal 507 relieve tank	79357

# NICR 675



#	Description	Part No.
8	Screw KST/PT 3,0x12 bl galvan	16052
94	O-Ring 003,40x1,90 silic/2-K	71881
96	Clip D=4mm L=14mm Inox	5470
110	Electronic 573 220-240V	106305
111	Molded tube 507 silic	76161
112	Flow meter FHKSC 12 90°-OT1.3	87437
904	Connector 691 3x	64591
113	Hose silic D09,0xd5,00x090mm	9212
114	Hose silic/reinf. D08,2xd4,2	37755
115	Hose clamp 8,0- 9,0mm	69541
116	Fluid connect I shape	56737
117	Holder 507 pump	73612
118	Damper 507 pump V3	96344
119	Press.spring 507 pump V2	103745
120	Pump holder 507	73614
121	Clip D=5mm	37384
122	Pump SPX.H100 EU V2	100182
123	Thermost TB02-B-B8D-130	105136
124	Pump holder 043	81597
125	Press.spring con.1,6mm	103749
126	Fluid connect elbow 90°	70061
127	O-Ring 003,40x1,90 EPDM V3	61701
905	Connector 507 4x	75624

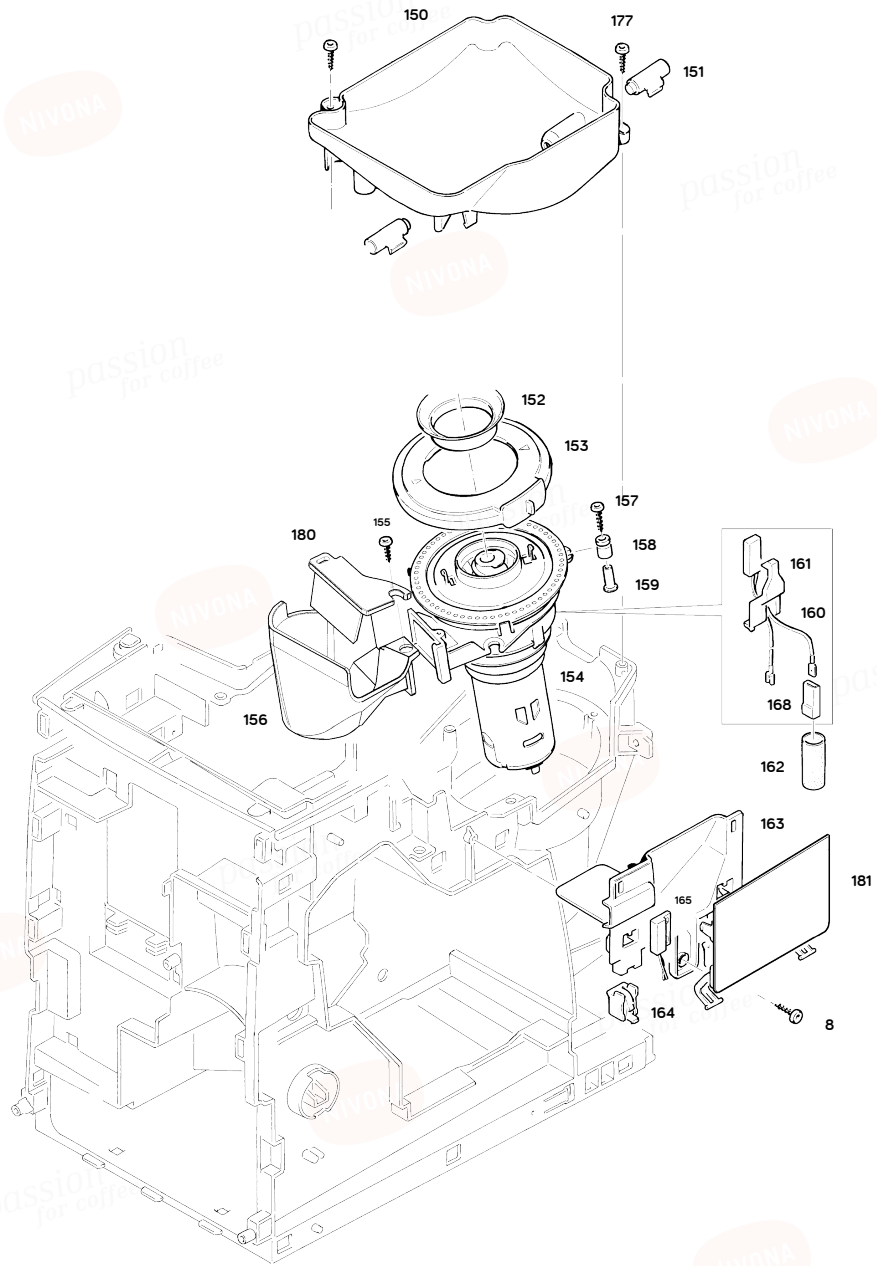
# NICR 675



#	Description	Part No.
8	Screw KST/PT 3,0x12 bl galvan	16052
94	O-Ring 003,40x1,90 silic/2-K	71881
95	Hose FEP D4,0xd2,50x210mm	40268
96	Clip D=4mm L=14mm Inox	5470
103	Hose FEP D4,0xd2,50x260mm	19680
104	Hose silic D11,5xd8,00x085mm	57757
105	Antikink protect 90°	37788
114	Hose silic/reinf. D08,2xd4,2	37755
115	Hose clamp 8,0- 9,0mm	69541
116	Fluid connect I shape	56737
121	Clip D=5mm	37384
129	spare thermobl.507/2010L cpl	80976
133	Outlet valve cpl Y-shape	83266
134	Screw KST/PT 3,5x12 bl galvan	22505
135	Hose FEP D4,0xd2,50x100mm	16082
140	Insul.sleeve elbow FH6,3	43202
141	Fluid connect I shape V2	61799
142	Fluid connect elbow 90°	60761
143	Screw M6x20 bl galvan rd head	38620
144	Locknut M6 6-face	24463
145	Holder 507 thermobl.	74451
147	Holder 507 thermobl	73604
148	Spring ring M5	5245
149	Temperature gauge 260 cpl	71630

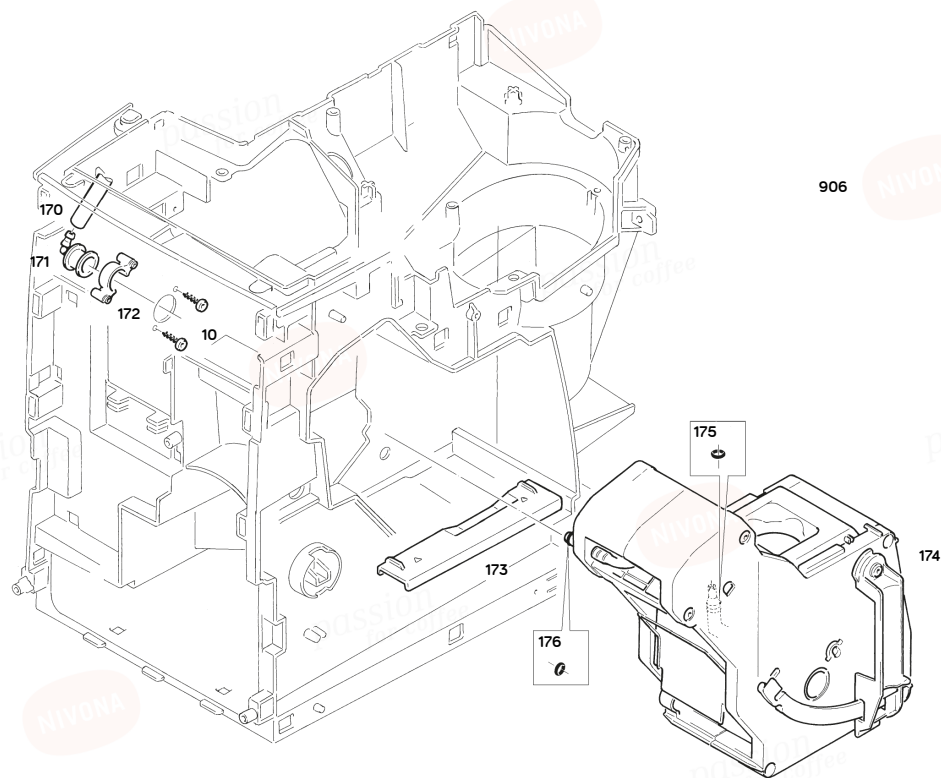


# NICR 675



#	Description	Part No.
8	Screw KST/PT 3,0x12 bl galvan	19503
150	Bean contain 507	73594
151	IR bean gauge 507 cpl V2	74132
152	Spare sleeve 778 cpl	13892
153	Lever 691 grinding grade V3	64439
154	Grinder unit 043 G43 MR1	101189
155	Screw KST/PT 3,0x 8 Inox	38391
156	Powder funnel 507 grinder V2	92546
157	Screw KST/PT 3,0x20 Inox	19244
158	Rubber feet 778 black	13904
159	Tubulrivet 4,0x0,40x10,5	13903
160	Current/temperature limiter	71049
161	Holder 005 temperature gauge	43700
162	Hose silic D10,0xd7,00x035mm	56923
163	Powder funnel 507	73601
164	Hinge 507 powder funnel	74311
165	Reed sensor MS-324/267K	75557
177	Screw KST/PT 3,0x12 Inox	62325
180	Cover 507 powder funnel	118334
181	Cover 507 cpl V2	93087

# NICR 675



#	Description	Part No.
10	Screw KST/PT 3,0x12 blk galvan	44505
170	Hose silic D06,0xd3,00x220mm	75500
171	Fluid connect 507 L shape	74313
172	Clip 046 outlet	29708
173	Support 507 extract unit	74314
174	Brewing unit 047	61123
175	O-Ring 005,70x1,90 silic/K-2	53961
176	O-Ring 005,00x1,50 silic/2-K	38141
906	Service cord 507	74135